

Slim Light series

Luci Slim Light



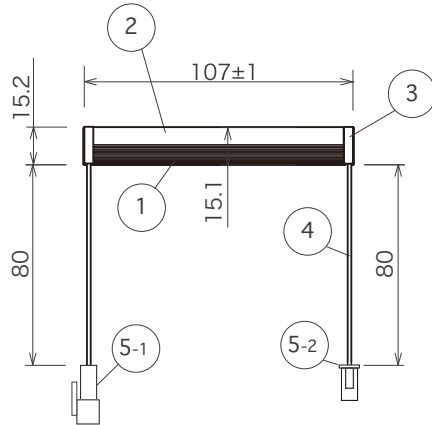
Luci Slim Light 100

Luci Pte., Ltd.

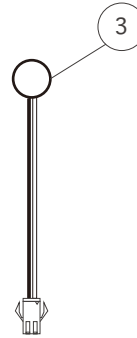
2017.04.19



Front View



Side view



Connector	Accessories, Option parts : Mounting clip A × 4pcs (LSM-PTA) (4 pcs included, 4pcs/1 bag)	Option parts : Power supply cable 3000mm (CAD-3000-MAFA-I)

Spec · Rating may be subject to change without announcements

Unit Of Measure : mm

	Part Name	Material	Note	Drawing
1	Body	Aluminum	Silver	
2	Body cover	Polycarbonate	Diffuser	
3	Side cover	Polycarbonate	Diffuser	
4	Lead Wire		UL1007 AWG22, white +,black -	
5	Connector	Nylon	White	
6	Mounting Clip	Polycarbonate	Clear	
7				
8				
9				
10				

Spec Input voltage : DC24V Power consumption : 1.5W Weight : 20g Number of LEDs : 18 Max. sets connectable : 5m Environment : Indoors (No Condensation) Operating temperature : -25°C~+50°C (No Condensation) Accessories : Mounting clip × 4pcs Option parts : Mounting clip A (4pcs/1 bag), Power supply cable 3000mm Certification : CE	Light Source color : Cool white : CW : 11600K (-- lm/ Ra --) Daylight white : D : 7100K (-- lm/ Ra --) Natural white : N : 5300K (-- lm/ Ra --) White : W : 4200K (67 lm/ Ra 90) Warm white 3500K: WW : 3500K (60 lm/ Ra 89) Warm white 3000K : L30 : 3000K (65 lm/ Ra 85) Warm white 2700K : L27 : 2700K (57 lm/ Ra 87) Warm white 2400K : L24 : 2400K (49 lm/ Ra 85) Warm white 1900K : L19 : 1900K (-- lm/ Ra --)	Item Number LSM-0100-CW-DF-I LSM-0100-D-DF-I LSM-0100-N-DF-I LSM-0100-W-DF-I LSM-0100-WW-DF-I LSM-0100-L30-DF-I LSM-0100-L27-DF-I LSM-0100-L24-DF-I LSM-0100-L19-DF-I
--	--	---

Job/Project Name _____ Product Code _____	Area/Location/Circuit No. _____ Qty. _____ Length(mm) _____
--	--

Slim Light series

Luci Slim Light

Luci Slim Light 500



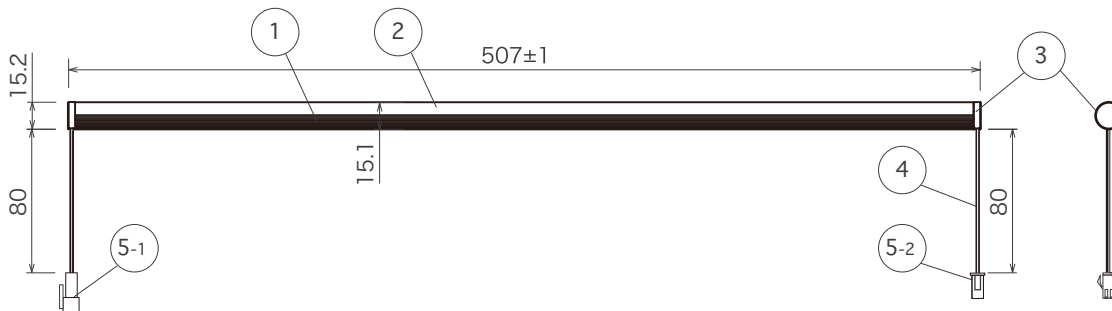
Luci Pte., Ltd.

2017.04.19



Front View

Side view



Connector	Accessories, Option parts : Mounting clip A × 4pcs (LSM-PTA) (4 pcs included, 4pcs/1 bag)	Option parts : Power supply cable 3000mm (CAD-3000-MAFA-I)

Spec · Rating may be subject to change without announcements

Unit Of Measure : mm

Part Name	Material	Note	Drawing
1 Body	Aluminum	Silver	
2 Body cover	Polycarbonate	Diffuser	
3 Side cover	Polycarbonate	Diffuser	
4 Lead Wire		UL1007 AWG22, white +,black -	
5 Connector	Nylon	White	
6 Mounting Clip	Polycarbonate	Clear	
7			
8			
9			
10			

Spec	Light Source color	Item Number
Input voltage : DC24V	Cool white : CW : 11600K (-- lm/ Ra --)	LSM-0500-CW-DF-I LSM-0500-D-DF-I LSM-0500-N-DF-I LSM-0500-W-DF-I LSM-0500-WW-DF-I LSM-0500-L30-DF-I LSM-0500-L27-DF-I LSM-0500-L24-DF-I LSM-0500-L19-DF-I
Power consumption : 7.7W	Daylight white : D : 7100K (-- lm/ Ra --)	
Weight : 80g	Natural white : N : 5300K (-- lm/ Ra --)	
Number of LEDs : 96	White : W : 4200K (380 lm/ Ra 90)	
Max. sets connectable : 5m	Warm white 3500K : WW : 3500K (324 lm/ Ra 89)	
Environment : Indoors (No Condensation)	Warm white 3000K : L30 : 3000K (334 lm/ Ra 85)	
Operating temperature : -25℃~+50℃ (No Condensation)	Warm white 2700K : L27 : 2700K (307 lm/ Ra 87)	
Accessories : Mounting clip × 4pcs	Warm white 2400K : L24 : 2400K (265 lm/ Ra 85)	
Option parts : Mounting clip A (4pcs/1 bag), Power supply cable 3000mm	Warm white 1900K : L19 : 1900K (-- lm/ Ra --)	
Certification : CE		

Job/Project Name	Area/Location/Circuit No.
Product Code	Qty. Length(mm)

Slim Light series

Luci Slim Light



Luci Slim Light 1000

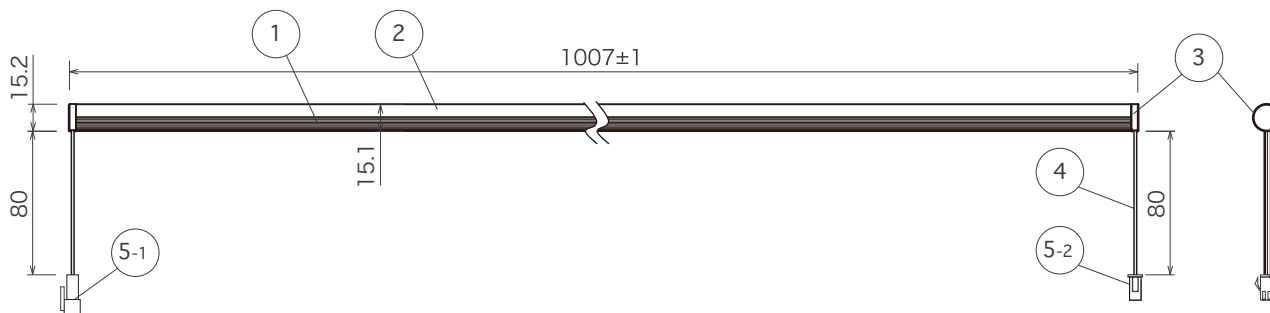
Luci Pte., Ltd.

2017.04.19



Front View

Side view



Connector	Accessories, Option parts : Mounting clip A × 4 pcs (LSM-PTA) (4 pcs included, 4 pcs/1 bag)	Option parts : Power supply cable 3000mm (CAD-3000-MAFA-I)

Spec · Rating may be subject to change without announcements

Unit Of Measure : mm

	Part Name	Material	Note	Drawing
1	Body	Aluminum	Silver	
2	Body cover	Polycarbonate	Diffuser	
3	Side cover	Polycarbonate	Diffuser	
4	Lead Wire		UL1007 AWG22, white+,black-	
5	Connector	Nylon	White	
6	Mounting Clip	Polycarbonate	Clear	
7				
8				
9				
10				

Spec	Input voltage : DC24V	Light Source color : Cool white	Item Number
	Power consumption : 15.4W	: CW : 11600K (-- lm/ Ra --)	LSM-1000-CW-DF-I
	Weight : 160g	Daylight white : D : 7100K (-- lm/ Ra --)	LSM-1000-D-DF-I
	Number of LEDs : 192	Natural white : N : 5300K (-- lm/ Ra --)	LSM-1000-N-DF-I
	Max. sets connectable : 5m	White : W : 4200K (764 lm/ Ra 90)	LSM-1000-W-DF-I
	Environment : Indoors (No Condensation)	Warm white 3500K : WW : 3500K (774 lm/ Ra 89)	LSM-1000-WW-DF-I
	Operating temperature : -25°C ~ +50°C (No Condensation)	Warm white 3000K : L30 : 3000K (656 lm/ Ra 85)	LSM-1000-L30-DF-I
	Accessories : Mounting clip × 4pcs	Warm white 2700K : L27 : 2700K (712 lm/ Ra 87)	LSM-1000-L27-DF-I
	Option parts : Mounting clip A (4pcs/1 bag),	Warm white 2400K : L24 : 2400K (549 lm/ Ra 85)	LSM-1000-L24-DF-I
	Power supply cable 3000mm	Warm white 1900K : L19 : 1900K (-- lm/ Ra --)	LSM-1000-L19-DF-I
	Certification : CE		

Job/Project Name	Area/Location/Circuit No.
Product Code	Qty. Length(mm)